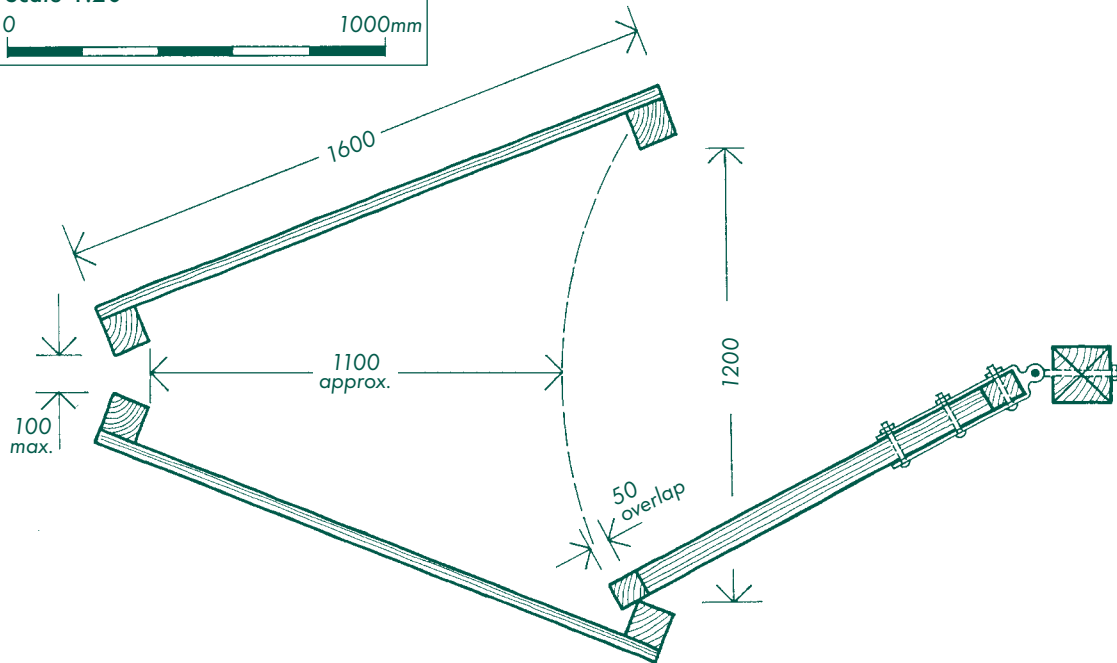
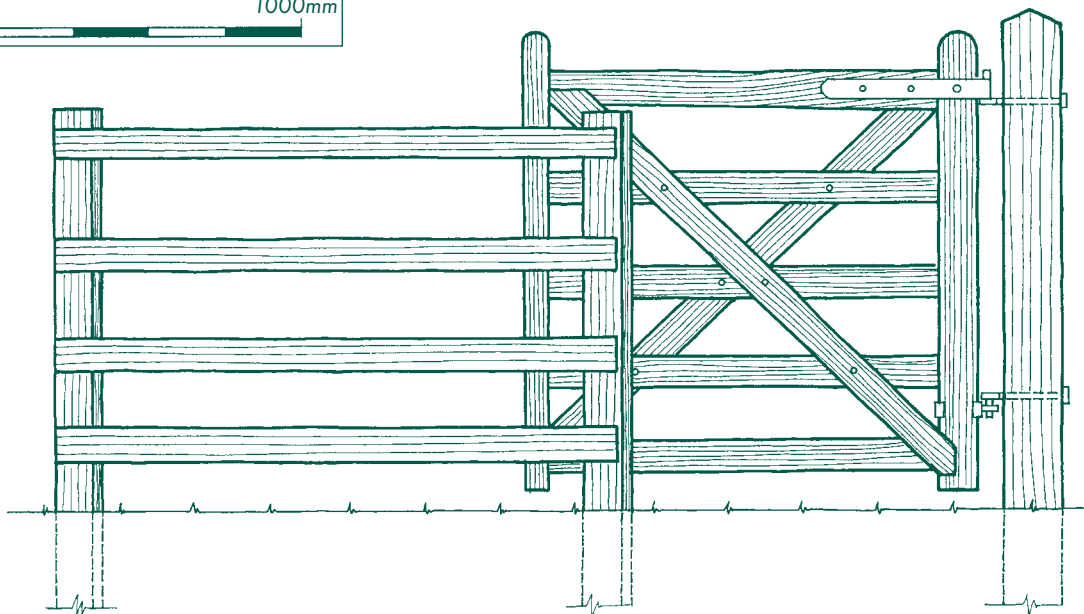




**2.8A Plan**  
Scale 1:20  
0 1000mm



**2.8B Side Elevation**  
Scale 1:20  
0 1000mm



Conforms to BS 5709	Stockproof	Ease of use for Pedestrians	Accessible to Motorised Wheelchair Users	Accessible to Manual Wheelchair and Pushchair Users	Accessible to Hors riders	Accessible to Pedal Cyclists	Accessible to Motorcyclists
✗	✓	☹️	✗	✗	✗	✗	✗

